



TOMOS CLASSIC

SPARE PARTS MANUALS



Contents

| | |
|--|----|
| CRANKCASE, CYLINDER, PISTON..... | 4 |
| CRANKSHAFT, CLUTCH | 6 |
| COUNTERSHAFT, MAINSHAFT..... | 8 |
| STRARTER MECHANISM | 10 |
| MAGNETO ASSEMBLY, ELECTRIC STARTER | 12 |
| OIL PUMP, OIL TANK | 14 |
| CARBURATOR, INTAKE SILENCER | 16 |
| EXHAUST, SEAT, COVERS | 18 |
| MUDGUARD, DECALS | 20 |
| FRAME, REAR FORK, CENTRAL STAND | 22 |
| FRONT FORK..... | 24 |
| GRIPS, CABLES | 26 |
| HANDELBAR, SPEEDOMETER, MIRROR..... | 28 |
| FRONT WHEEL..... | 30 |
| REAR WHEEL..... | 32 |
| ELECTRIC PARTS..... | 34 |

TYPE-MODEL

237350 A34DAE CLASSIC-XL 25 K

Vin-nr. is denominated from 4 to 11. nr. for EU directive

MODELS

D**LEGEND FOR ADDITIONALLY MARKED PARTS**

a,b... option..(genuine parts)

1,2... various parts, which have same part nr. as parts on group picture

G base coat (ground coat) painted parts

L color painted parts

C chromed parts

M optional parts (parts which are used for another type of motor vehicle)

N unprotected parts (plastic parts)

P parts used in case of need (not mandatory by Bill of Material-BOM)

Z Interchangeable parts (parts which could be used instead of listed parts in case listed ones are not on stock)

PAINTED PARTS (PROTECTED) PARTS

241000LAK – color painted parts; please provide information of color

241000X91 – black painted parts; black-temperature resistant color

241000C51 - chromed - lights

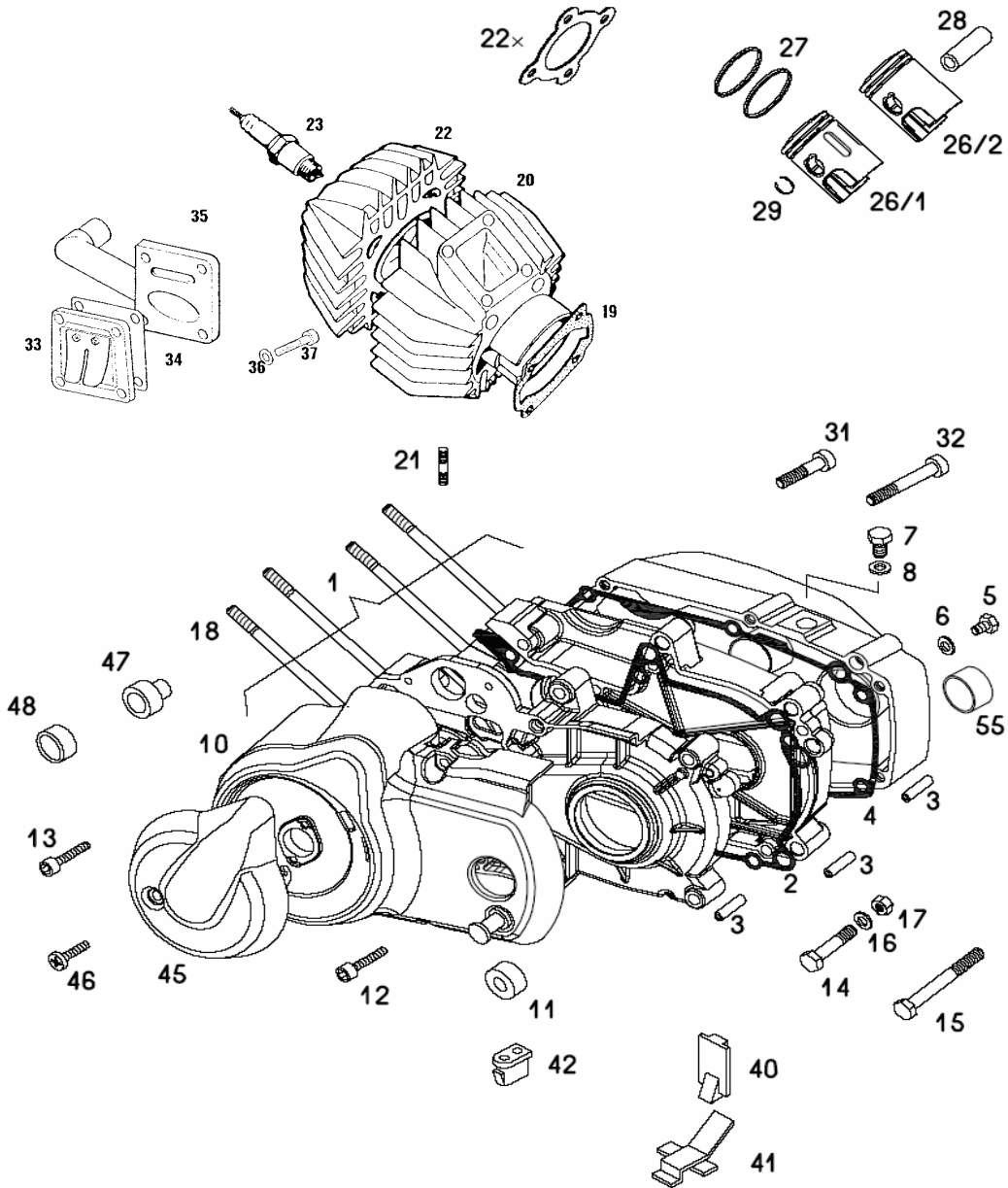
EXAMPLE FOR CHANGE

01/00 do - parts was built on vehicle till Januar 2000

11/01 od - parts we built on vehicle from November 2001

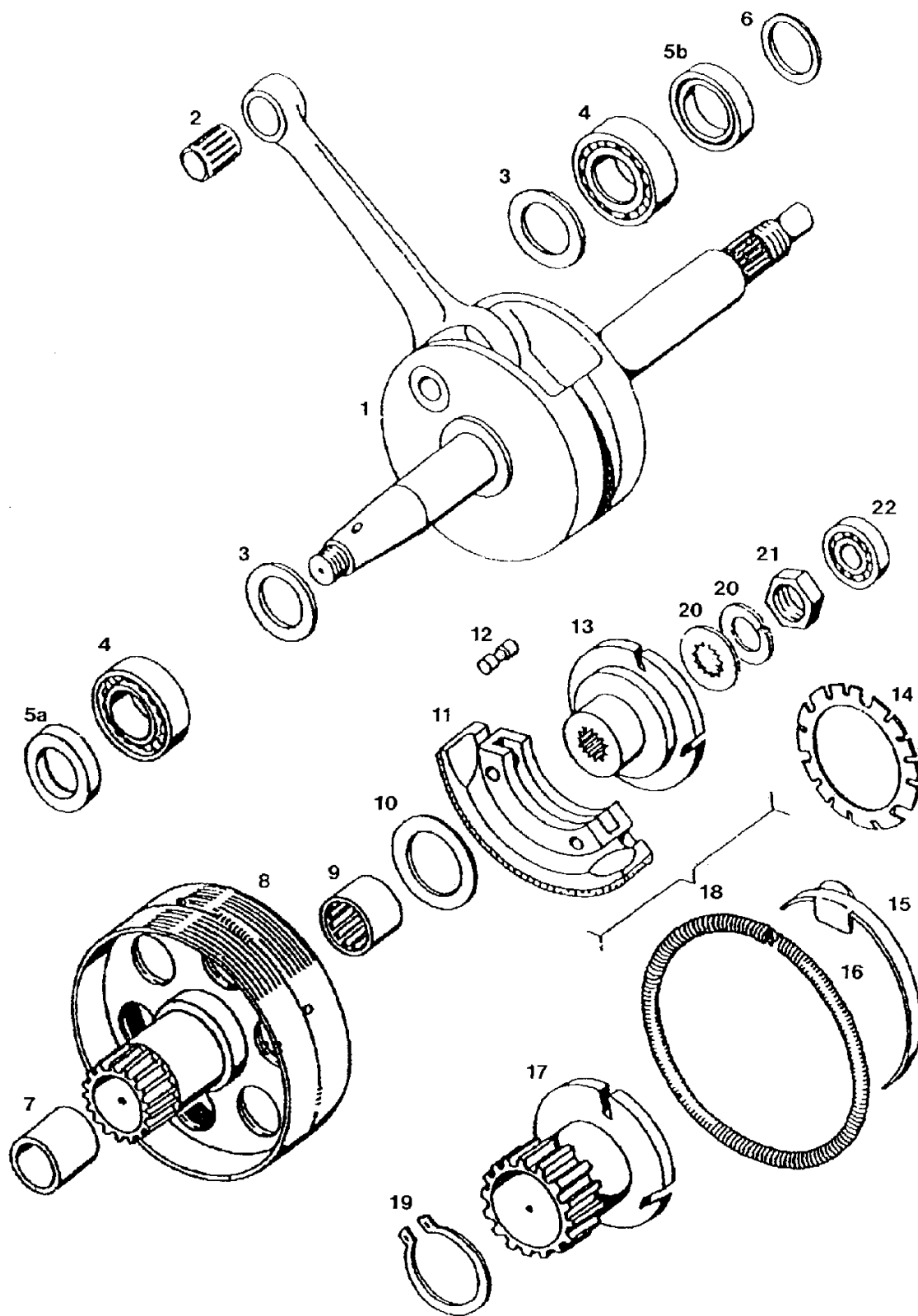
| Colour code | Typ of protection | Colour | Colour | Colour tone | RAL similar |
|-------------|-------------------|---------|---------|-------------|-------------|
| LAK | all | all | ALL | | |
| GRU | basis | gray | gray | | |
| KOM | all | combin. | combin. | | |
| M71 | metal | silver | silver | standard | 9006 |
| S91 | normal | black | black | standard | 9017 |
| S92 | normal | black | black | mat | 9017 |
| S01 | normal | white | white | standard | 9003 |
| C51 | CROMED | BLU | Cr | LIGHT | |
| Z51 | ZINCED | BLU | Zn | LIGHT | |

CRANKCASE, CYLINDER, PISTON



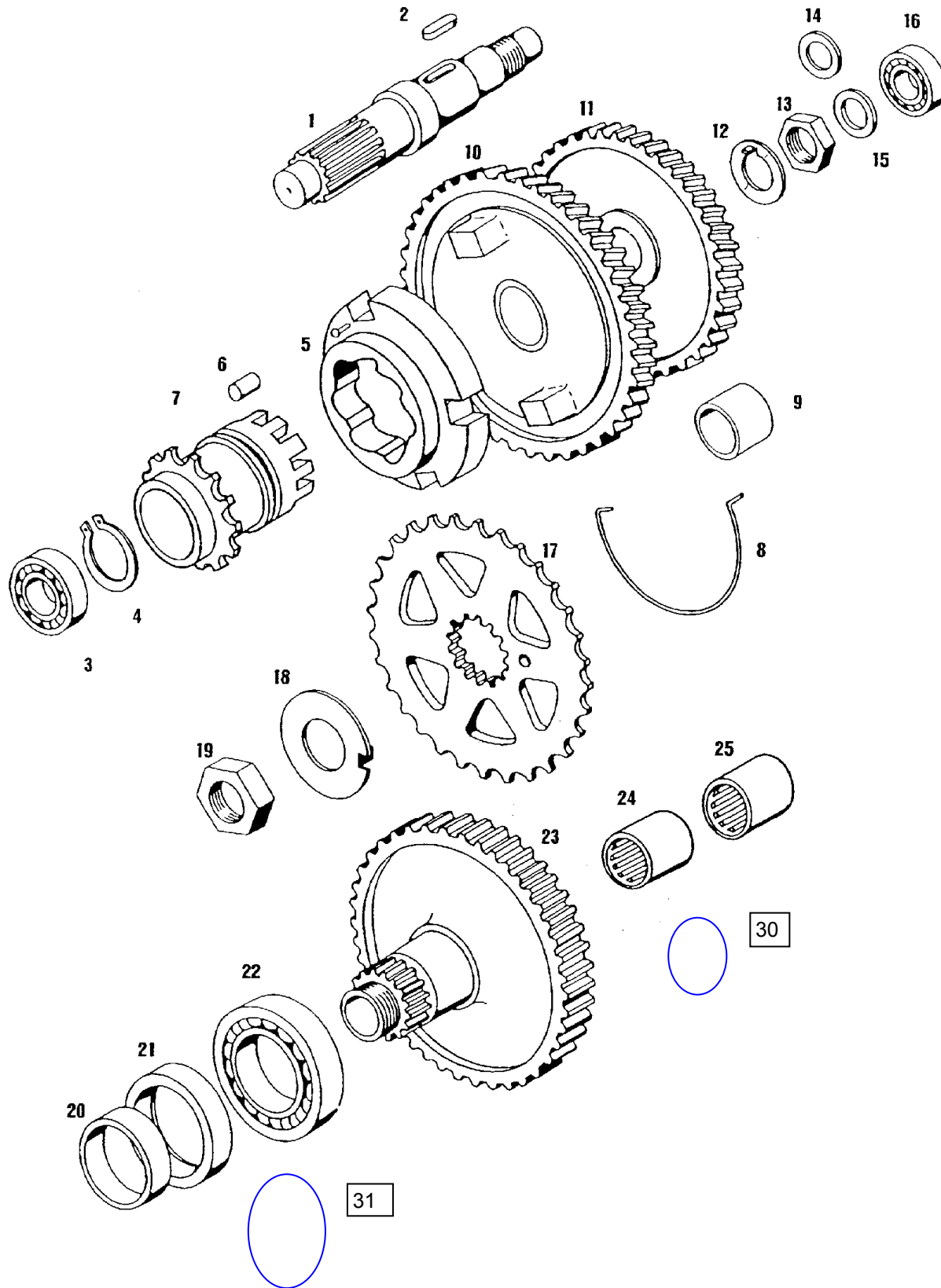
| No. | * | Part No. | Denomination | D |
|-----|---|----------|--|----|
| | | 237049 | ENGINE 25 km/h-BLACK-KICK | 1 |
| 1 | 1 | 230982 | CRANKCASE-CPL (with parts 2-8,18,30 and barings) | 1 |
| 1 | 2 | 233178 | CRANKCASE right, left and right cover BLACK | 1 |
| 2 | | 222098 | CRANKCASE GASKET | 1 |
| 3 | | 223440 | CENTERING BUSH 9,8X16 | 4 |
| 4 | | 232971 | RIGHT COVER GASKET | 1 |
| 5 | | 027264 | SCREW M6X10 | 1 |
| 6 | | 230172 | SEAL RING A6X12 | 1 |
| 7 | | 026311 | SCREW M8X10 | 2 |
| 8 | | 230173 | SEAL RING A8X14 | 2 |
| 10 | | 230859 | MAGNETO COVER BLACK | 1 |
| 11 | | 200294 | RUBBER RING | 1 |
| 12 | | 026573 | ALLEN SCREW M6X25 | 2 |
| 13 | | 026636 | ALLEN SCREW M6X40 | 1 |
| 14 | | 026045 | SCREW M8x1X90 | 2 |
| 15 | | 026043 | SCREW M8x1X80 | 2 |
| 16 | | 031933 | WASHER 8 | 5 |
| 17 | | 030049 | NUT M8X1-SELFLOCKING | 4 |
| 18 | | 205386SS | CYLINDER STUD BOLT M7X115 | 4 |
| 19 | | 233714 | CYLINDER GASKET-0,4 mm | 2 |
| 20 | | 229402 | CILINDER CPL (with part 26)-BLACK | 1 |
| 21 | | 240632 | STUD BOLT | 2 |
| 22 | 1 | 223466 | CYLINDER HEAD-BLACK | . |
| 22 | 2 | 229288 | CYLINDER HEAD-BLACK | 1 |
| 23 | | 044511 | SPARK PLUG (BOSNA- F75, BOSCH-W7AC,CHAMPION-L86) | 1 |
| 24 | | 044828 | NUT M7 | 4 |
| 25 | | 044154 | WASHER 7 | 4 |
| 26 | | 227868 | PISTON 38,0 X 50 mm (with part 28-30) | 1 |
| 27 | | 222041 | PISTON RING 38,0 mm | 2 |
| 28 | | 207408 | WRIST PIN 12 mm | 1 |
| 29 | | 032039 | SPRING CIRCLIP 12 mm | 2 |
| 31 | | 026573 | ALLEN SCREW M6X25 | 14 |
| 32 | | 026582 | ALLEN SCREW M6X65 | 1 |
| 33 | | 222238 | REED VALVE | 1 |
| 34 | | 223748 | REED VALVE GASKET | 1 |
| 35 | 1 | 230815 | INTAKE MAINFOLD (OIL PUMP) - 45 km/h | . |
| 35 | 2 | 230905 | INTAKE MAINFOLD (OIL PUMP) | 1 |
| 36 | | 031931 | WASHER 5 | 4 |
| 37 | 1 | 026686 | SCREW M5X20(ISO 7380) | 2 |
| 37 | 2 | 236323 | SCREW | 1 |
| 38 | | 230812 | RUBBER TUBE | 1 |
| 45 | | 230901 | OIL PUMP COVER-BLACK | 1 |
| 46 | | 233368 | SCREW PT-KA30X14 | 1 |
| | | 233560 | GASKET SET (A5-A) | . |

CRANKSHAFT, CLUTCH



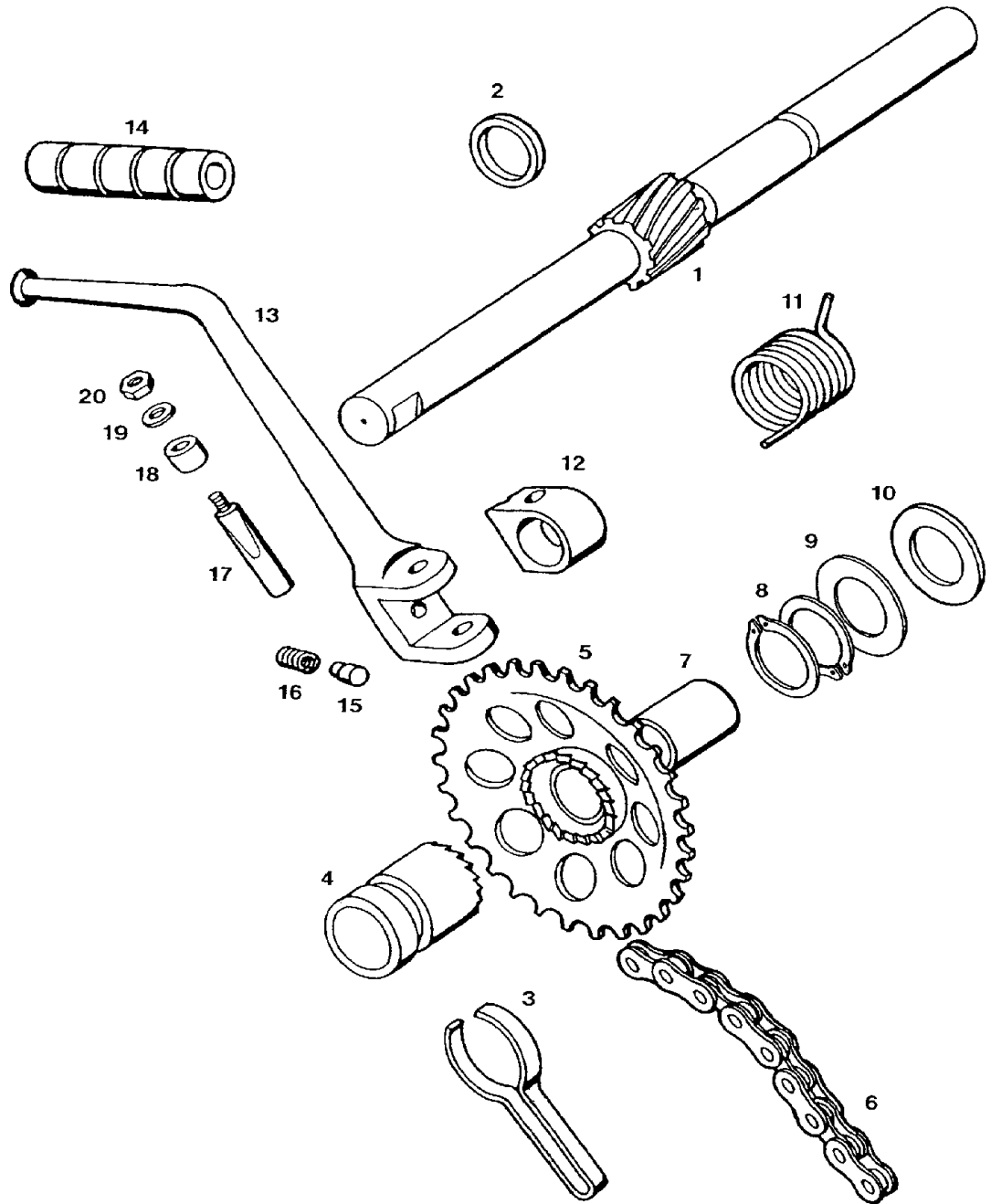
| No. | * | Part No. | Denomination | D |
|-----|---|----------|----------------------------|---|
| 1 | | 223421 | CRANKSHAFT - A35 | 1 |
| 2 | | 035548 | NEEDLE BEARING 12X15X15 | 1 |
| 3 | P | 212957 | SHIM 0,10MM | 1 |
| 3 | P | 212958 | SHIM 0,15MM | 1 |
| 3 | P | 212959 | SHIM 0,20MM | 2 |
| 4 | | 035070 | BALL BEARING 6203 C3 | 2 |
| 5 | | 036555 | SEAL RING A17X35X7 | 1 |
| 6 | | 223468 | THRUST WASHER 14X20X2 | 1 |
| 7 | | 223470 | BEARING BUSH | 1 |
| 8 | | 223423 | GEAR WITH DRUM CPL. - A35 | 1 |
| 9 | | 035554 | ROLLER CLUTCH | 1 |
| 10 | | 209073 | SHIM 0,30MM | 1 |
| 10 | P | 209119 | SHIM 0,50MM | 1 |
| 11 | 1 | 223432 | CLUTCH SEGMENT 1ST. GEAR | 3 |
| 11 | 2 | 223562 | CLUTCH SEGMENT 2ND. GEAR | 3 |
| 12 | | 223434 | CLUTCH PIN | 6 |
| 13 | | 223429 | CLUTCH HUB 1ST. GEAR | 1 |
| 14 | | 209002 | SPRING PLATE | 1 |
| 15 | | 209039 | BRAKE STRIP | 6 |
| 16 | 1 | 209013 | CLUTCH SPRING | 1 |
| 16 | 2 | 223769 | CLUTCH SPRING | 1 |
| 17 | | 223435 | DRIVE GEAR (2.ND GEAR) | 1 |
| 18 | | 223436 | CLUTCH CPL. 2.ND GEAR (REV | 1 |
| 18 | | 227849 | CLUTCH CPL. 1ST. GEAR (REV | 1 |
| 19 | | 032083 | CIRCLIP | 1 |
| 20 | | 031848 | SPRING RING B10 | 1 |
| 20 | | 031978 | THRUST WASHER B10 | 1 |
| 21 | | 215487 | NUT M10X1 | 1 |
| 22 | | 035202 | BALL BEARING 608 | 1 |

COUNTERSHAFT, MAINSHAFT



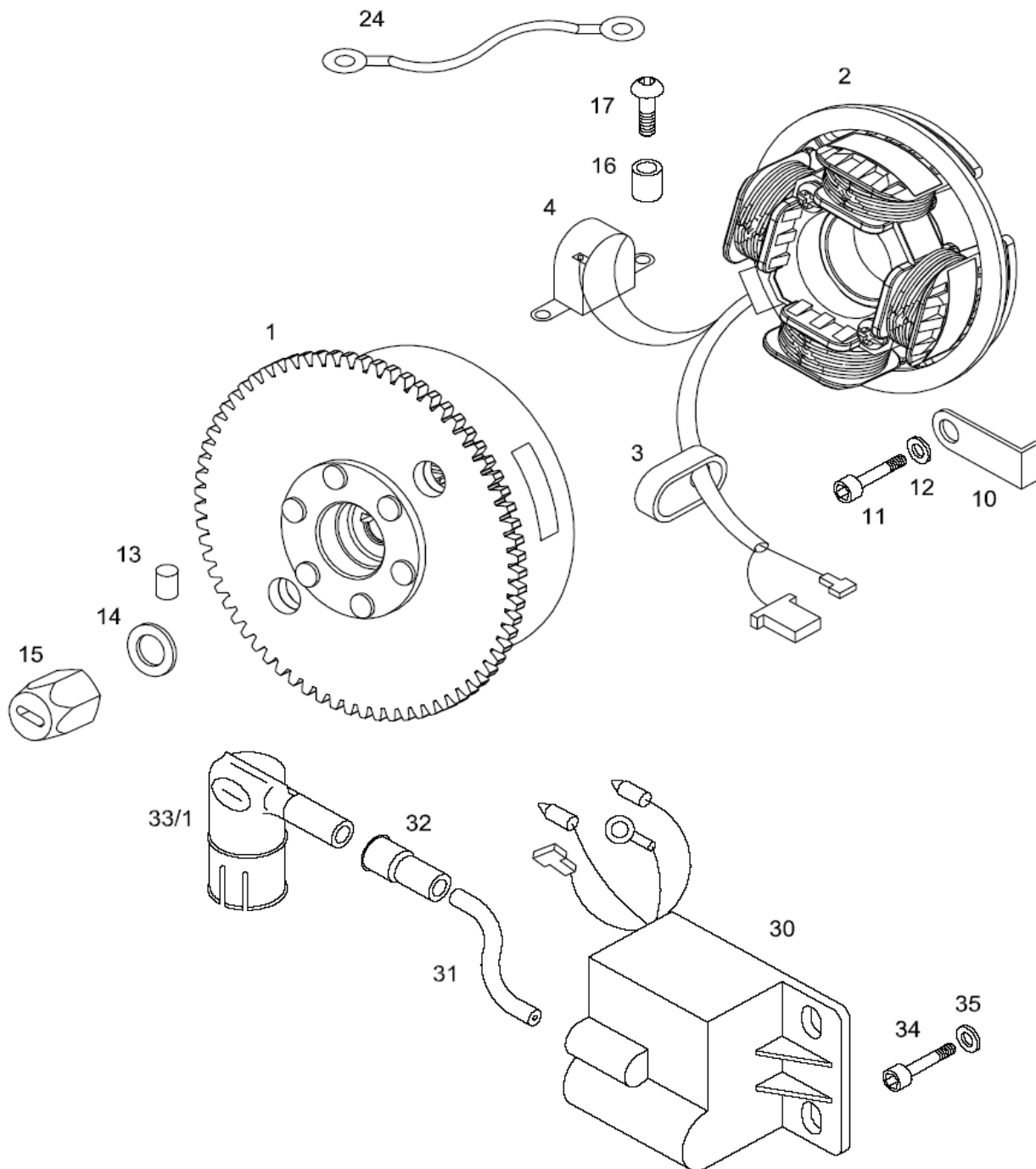
| No. | * | Part No. | Denomination | D |
|-----|---|----------|-------------------------|---|
| 1 | | 223458 | COUNTERSHAFT | 1 |
| 2 | | 044835 | WOODRUFF KEY 5X5X12 | 1 |
| 3 | | 035072 | BALL BEARING 6201 | 1 |
| 4 | | 032077 | CIRCLIP | 1 |
| 5 | | 223463 | CAGE | 1 |
| 6 | | 209063 | ROLLER D5X8 | 8 |
| 7 | | 222209 | CAGE | 1 |
| 8 | | 223121 | COUNTERSHAFT SPRING | 1 |
| 9 | | 035600 | BEARING BUSH | 1 |
| 10 | | 227194 | 1ST. SPEED GEAR - A35 | 1 |
| 11 | | 223461 | 2ND. SPEED GEAR - A35 | 1 |
| 12 | | 209062 | PROTECTIVE WASHER | 1 |
| 13 | | 200141 | NUT M14X1 | 1 |
| 14 | | 223469 | THRUST WASHER 2,0MM | 1 |
| 15 | P | 209075 | SHIM 0,20MM | 1 |
| 15 | P | 209076 | SHIM 0,50MM | 1 |
| 16 | | 035031 | BALL BEARING 6000 | 1 |
| 17 | | 209078 | FRONT SPROCKET Z=26 | 1 |
| 17 | | 236345 | FRONT SPROCKET Z=20 | . |
| 18 | | 209079 | PROTECTIVE WASHER | 1 |
| 19 | | 209080 | NUT M22X1 | 1 |
| 20 | | 209077 | DISTANCE BUSH | 1 |
| 21 | | 036620 | SEALING RING A35X47X7 | 1 |
| 22 | | 035037 | BALL BEARING 6006 | 1 |
| 23 | | 223456 | DRIVE SHAFT CPL. - KICK | 1 |
| 24 | | 035502 | NEEDLE BEARING SCE 109P | 1 |
| 25 | | 035503 | NEEDLE BEARING SCE 108 | 1 |
| 30 | | 033006 | O RING | 1 |
| 31 | | 033007 | O RING | 1 |

STRARTER MECHANISM



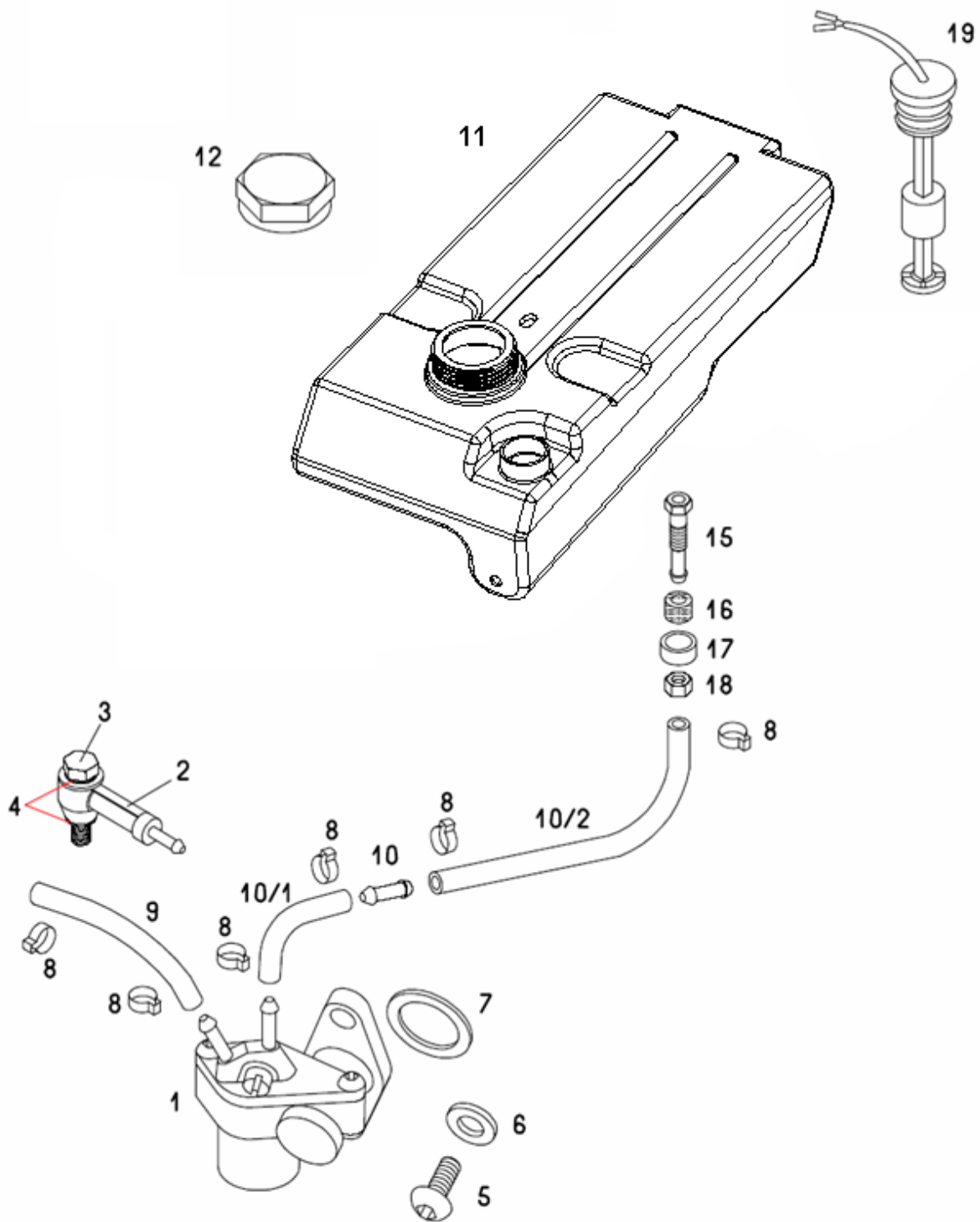
| No. | * | Part No. | Denomination | D |
|-----|---|----------|---|---|
| 1 | | 223447 | STARTER SHAFT | 1 |
| 2 | | 205702 | THRUST WASHER | 1 |
| 3 | | 209048 | BRAKE SPRING | 1 |
| 4 | | 209047 | CLAW COLLAR | 1 |
| 5 | | 217584 | CHAIN SPROCKET Z=25 | 1 |
| 6 | | 217582 | CHAIN (32 ROLLERS) | 1 |
| 7 | | 223448 | DISTANCE BUSH | 1 |
| 8 | | 032073 | STARTERSHAFT RING 16 | 2 |
| 9 | | 206391 | SHIM 0,50MM | 1 |
| 10 | P | 209087 | SHIM 0,02MM | 3 |
| 10 | P | 200175 | SHIM 0,50MM | 1 |
| | | 237189 | KICK START LEVER CPL. (with parts 11 to 20) | 1 |
| 11 | | 223473 | KICK START RETURN SPRING | 1 |
| 12 | | 221406 | HUB | 1 |
| 13 | | 221405 | KICK START LEVER | 1 |
| 15 | | 260216 | THRUST BOLT | 1 |
| 16 | | 260217 | KICKSTART SPRING | 1 |
| 17 | | 202726 | KICKSTART PIN | 1 |
| 18 | | 202723 | DISTANCE BUSH | 1 |
| 19 | | 202727 | WASHER 7,4X14X2 | 1 |
| 20 | | 031076 | NUT M7 | 1 |

MAGNETO ASSEMBLY, ELECTRIC STARTER



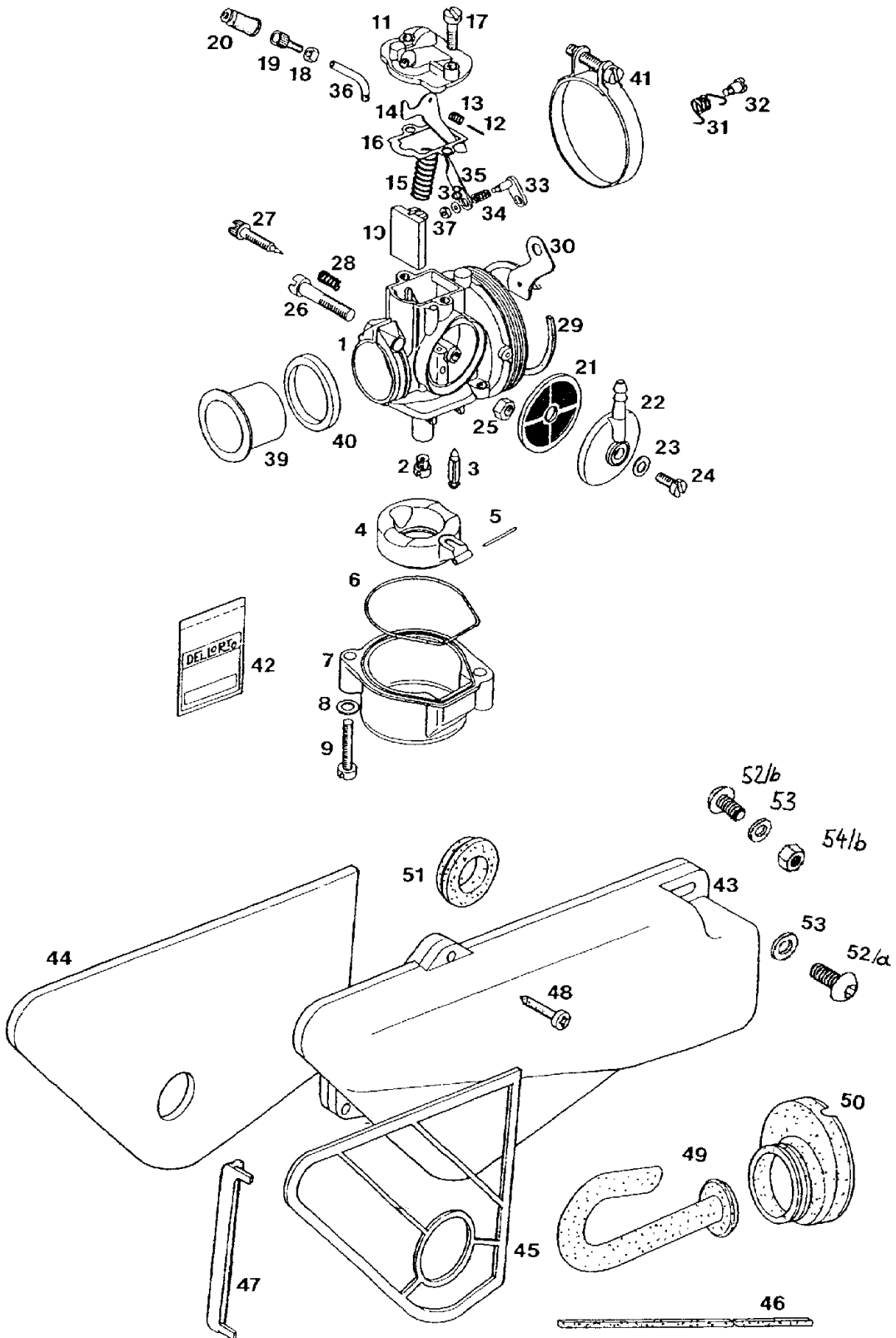
| No. | * | Part No. | Denomination | D |
|-----|---|----------|---|---|
| | | 233720 | MAGNETO ASSEMBLY CPL. (with parts 1- 4) | 1 |
| 1 | | 243101 | FLYWHEEL | 1 |
| 2 | | 243100 | BASE PLATE CPL. | 1 |
| 3 | | 224196 | RUBBER INSERT PIECE | 1 |
| 4 | | 243102 | PICK UP | 1 |
| 10 | | 230916 | CLIP | 1 |
| 11 | | 026657 | ALLEN SCREW M5x15 | 2 |
| | | 291346 | LOCTITE 243 | . |
| 12 | | 031508 | WASHER M5 | 2 |
| 13 | | 200048 | ROLLER D3x4 | 1 |
| 14 | | 229918 | WASHER d10,4 D 17,5 s 1,2 | 1 |
| 15 | | 230813 | OIL PUMP NUT M10x1 | 1 |
| 16 | | 233719 | DISTANCE TUBE | 2 |
| 17 | | 236389 | SCREW FOR PICK UP | 2 |
| 24 | | 232967 | GROUND WIRE | 1 |
| 30 | | 233729 | ELECTRONIC | 1 |
| 31 | | 044528 | SPARK PLUG CABLE (430mm) | m |
| 32 | | 210175 | RUBBER PROTECTOR | 1 |
| 33 | | 206116 | SPARK PLUG CAP | 1 |
| 34 | | 026701 | SCREW M5x12 (ISO 7380) | 2 |
| 35 | | 031508 | WASHER M5 | 2 |

OIL PUMP, OIL TANK



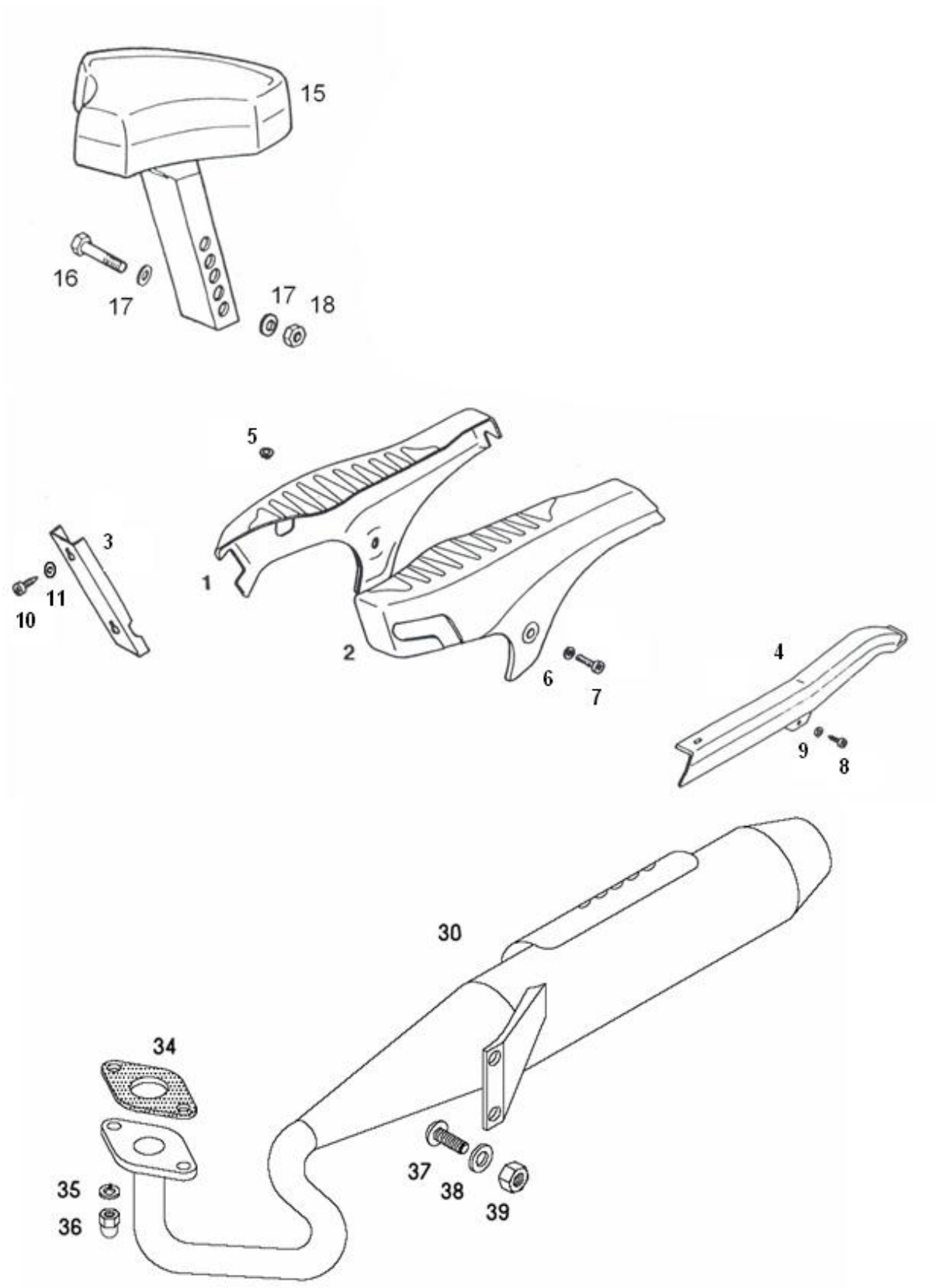
| No. | * | Part No. | Denomination | D |
|------------|----------|-----------------|----------------------------------|----------|
| 1 | | 217310 | OIL PUMP CPL. (with parts 2,3,4) | 1 |
| 2 | | 217311 | BANJO | 1 |
| 3 | | 217312 | BANJO BOLT | 1 |
| 4 | | 044581 | SEALING WEASHER 6X12 | 2 |
| 5 | | 026697 | SCREW M5X16 (ISO 7380) | 2 |
| 6 | | 031867 | WASHER B5 | 2 |
| 7 | P | 227393 | SHIM 0,50mm | 1 |
| 8 | | 217313 | FERRULE | 4 |
| 9 | | 044472 | OIL LINE (320 mm) | m |
| 10 | 1 | 044472 | OIL LINE (250 mm) | m |
| 10 | 2 | 044472 | OIL LINE (530 mm) | m |
| 10 | 3 | 233116 | CONNETCING CLAMP | 1 |
| 11 | | 237258 | OIL TANK | 1 |
| 12 | | 236413 | OIL TANK CAP | 1 |
| 15 | | 217319 | BANJO | 1 |
| 16 | | 227499 | TRUBBER WASHER | 1 |
| 17 | | 227498 | WASHER CUP | 1 |
| 18 | | 031075 | NUT M6 | 1 |
| 19 | | 236414 | OIL LEVEL SENZOR | 1 |

CARBURATOR, INTAKE SILENCER



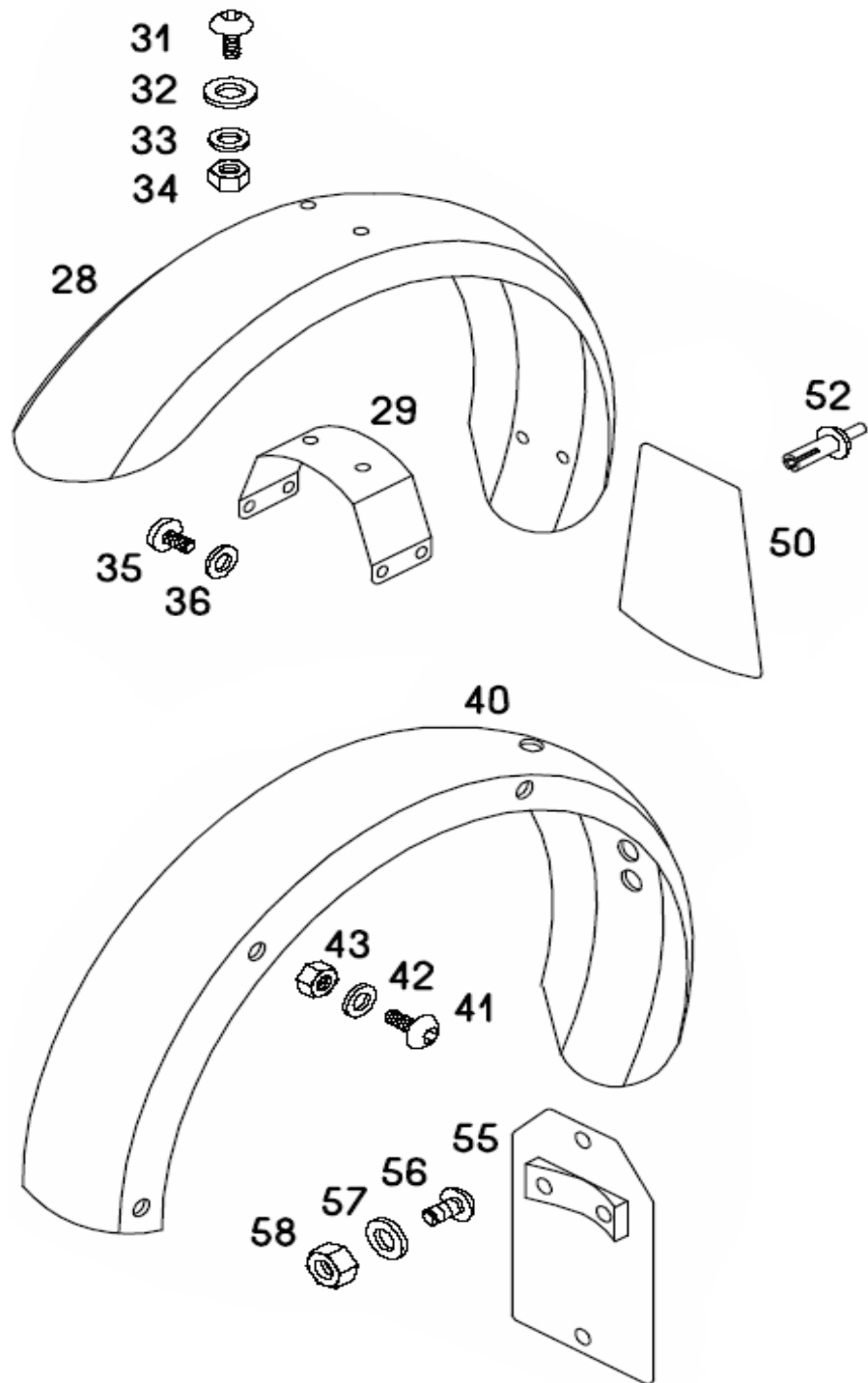
| No. | * | Part No. | Denomination | D |
|------------|----------|-----------------|--|----------|
| 1 | 2 | 236202 | CARBURETOR | 1 |
| 2 | | 222681 | JET 49 | 1 |
| 3 | | 219589 | FLOAT VALVE | 1 |
| 4 | | 219582 | FLOAT | 1 |
| 5 | | 219593 | FLOAT PIN | 1 |
| 6 | | 219594 | FLOAT CHAMBER GASKET | 1 |
| 7 | | 219595 | FLOAT CHAMBER | 1 |
| 8 | | 031930 | WASHER 4 | 1 |
| 9 | | 027057 | SCREW M4X20 | 1 |
| 10 | | 219580 | THROTTLE SLIDE | 1 |
| 11 | | 219596 | CARBURATOR COVER CPL. with parts (12-15) | 1 |
| 12 | | 219871 | PIN | 1 |
| 13 | | 219872 | SPRING | 1 |
| 14 | | 219873 | CHOKE LEVER | 1 |
| 15 | | 219874 | RETURN SPRING | 1 |
| 16 | | 219583 | CARBURATOR COVER GASKET | 1 |
| 17 | | 219598 | SCREW M4X15 | 2 |
| 18 | | 219626 | NUT | 1 |
| 19 | | 219625 | ADJUSTING SCREW | 1 |
| 20 | | 219624 | RUBBER BUSH | 1 |
| 21 | | 219585 | FUEL FILTER | 1 |
| 22 | | 219584 | FUEL CONNECTION LID | 1 |
| 23 | | 219780 | SEAL RING | 1 |
| 24 | | 026700 | SCREW M5X10 | 1 |
| 25 | | 031075 | NUT M6 | 1 |
| 26 | | 027083 | SCREW M6X30 | 1 |
| 27 | | 219587 | ADJUSTING SCREW | 1 |
| 28 | | 219588 | SPRING | 1 |
| 29 | | 219590 | GASKET | 1 |
| 30 | | 223026 | CHOKE LEVER | 1 |
| 31 | | 219591 | RETURN SPRING | 1 |
| 32 | | 219592 | SCREW | 1 |
| 33 | | 223025 | LEVER | 1 |
| 34 | | 223027 | CHOKE SPRING | 1 |
| 35 | | 227328 | CHOKE LEVER | 1 |
| 36 | | 219623 | CONNECTION | 1 |
| 37 | | 031073 | NUT M4 | 1 |
| 38 | | 031930 | WASHER 4 | 1 |
| 39 | | 227326 | PLASTIC REDUCING BUSH | 1 |
| 40 | | 227324 | SEALING RING | 1 |
| 41 | | 219375 | CLAMP 60-65 | 1 |
| 42 | | 219875 | CARBURATOR GASKET SET CPL. | 1 |
| 43 | 2 | 230069 | INTAKE SILENCER CPL. | 1 |
| 44 | | 229704 | AIR FILTER (FOAM) | 1 |
| 45 | | 229776 | FILTER COVER | 1 |
| 46 | | 229702 | FILTER PIECE | 1 |
| 47 | | 229703 | FILTER SUPPORT | 1 |
| 48 | | 044438 | SHEET SCREW 4,2X19 | 3 |
| 49 | | 230046 | SILENCER INSERT PIECE | 1 |
| 50 | | 229705 | JUNCTION SLEEVE | 1 |
| 51 | | 229706 | INSERT RUBBER | 1 |
| 52 | | 044115 | SCREW M6X25 | 1 |
| 53 | | 031509 | WASHER 6 | 1 |
| 54 | | 031075 | NUT M6 | 1 |

EXHAUST, SEAT, COVERS



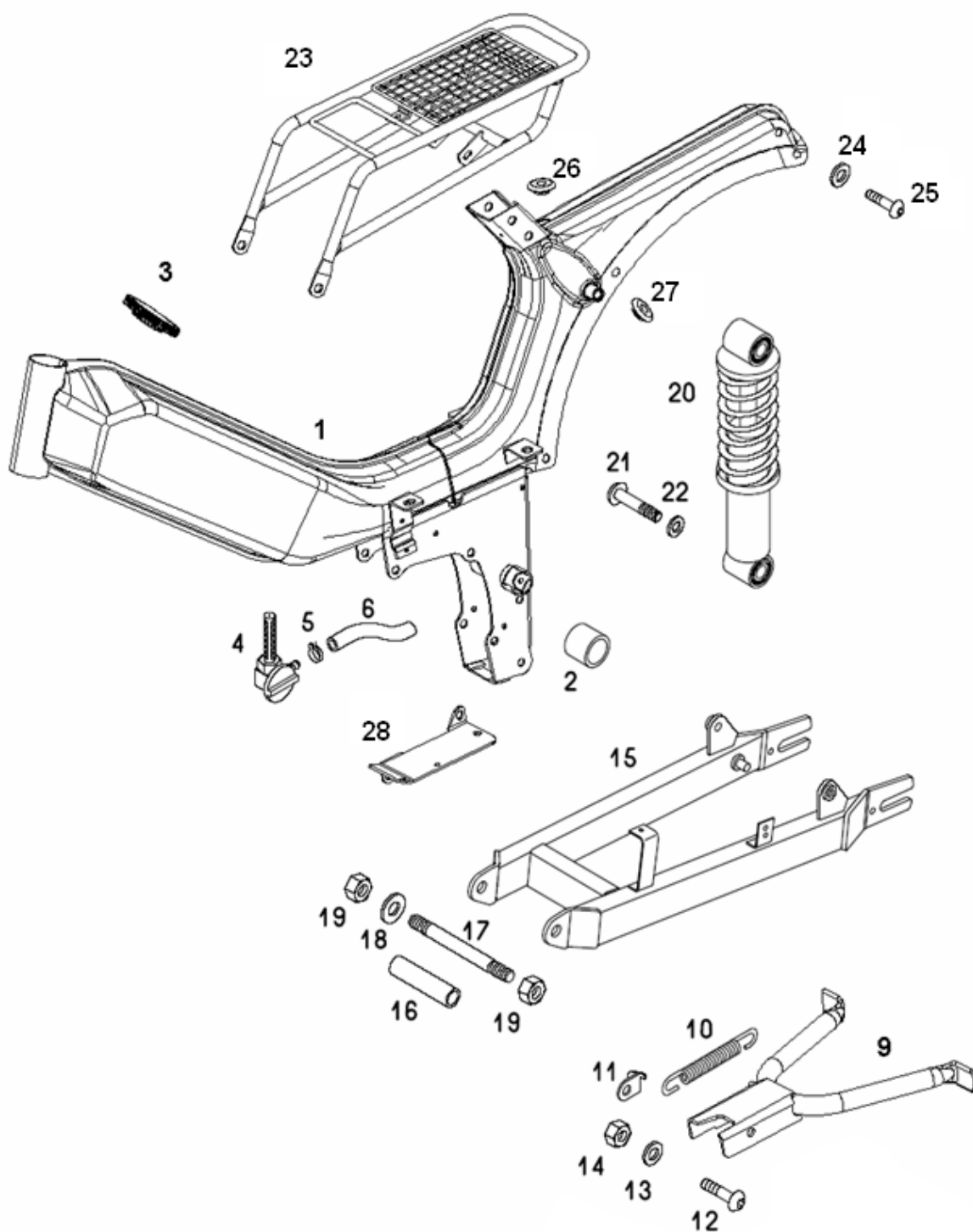
| No. | * | Part No. | Denomination | D |
|------------|----------|-----------------|--------------------------|----------|
| 1 | L | 229836 | RNNING BOARD PAINTED RH | 1 |
| 2 | L | 242039LAK | RUNNING BOARD PAINTED LH | 1 |
| 3 | | 242313 | CONTROL CABLE COVER | 1 |
| 4 | | 229779 | CHAIN GUARD (BLACK) | 1 |
| 5 | | 229728 | RUBBER INSERT PIECE | 4 |
| 6 | | 031925 | WASHER 6,4 | 2 |
| 7 | | 033512 | SCREW M6X16 (DIN 6921) | 2 |
| 8 | | 033583 | SCREW ST4,8X9 | 2 |
| 9 | | 215341 | WASHER d5,2xD14,5 | 2 |
| 10 | | 033581 | VIJAK*ST4,2X19 | 2 |
| 11 | | 215341 | WASHER d5,2xD14,5 | 2 |
| 15 | | 208609 | SEAT | 1 |
| 16 | | 033534 | SCREW M8x55 (DIN 6921) | 2 |
| 17 | | 031933 | WASHER A8,4 | 2 |
| 18 | | 033592 | NUT M8 (DIN 6923) | 2 |
| 30 | | 236203 | EXHAUST SILENCER | 1 |
| 34 | | 227149 | EXHAUST GASKET | 1 |
| 35 | | 031845 | SPRING RING B6 | 2 |
| 36 | | 030020 | SCREW M5X30 | 2 |
| 37 | | 026704 | SCREW M8X20 (ISO 7380) | 2 |
| 38 | | 031510 | WASHER 8 | 4 |
| 39 | | 030041 | NUT M8-SELFLOCKING | 2 |
| | | 026705 | SCREW | 2 |
| | | 031509 | WASHER 6 | 2 |
| | | 242153C51 | EXHAUST SHIELD | 1 |

MUDGUARD, DECALS



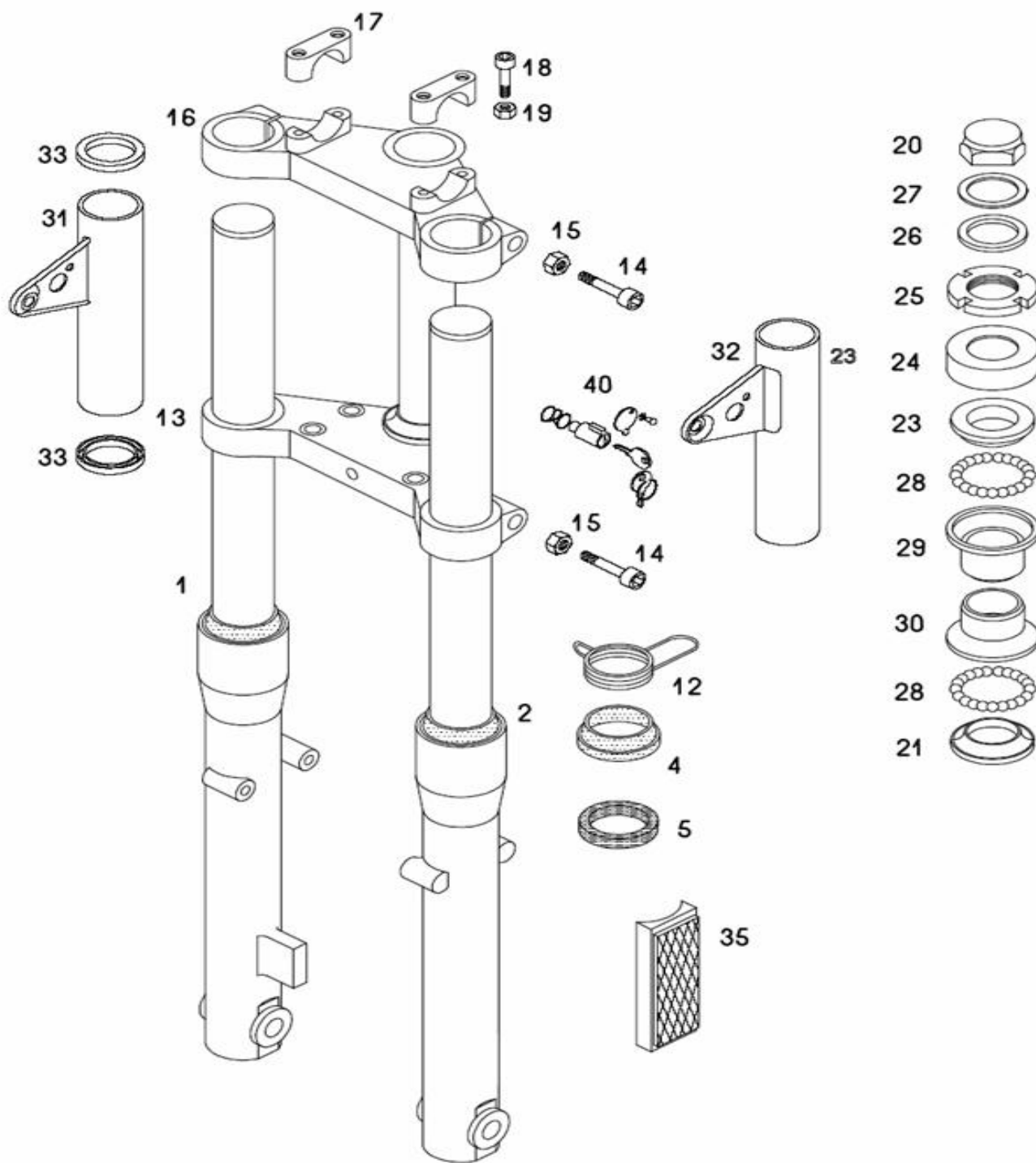
| No. | * | Part No. | Denomination | D |
|-----|---|-----------|----------------------------|---|
| | | 234455 | DECAL "CLASSIC RETRO" CPL. | 1 |
| 28 | C | 237213C51 | FRONT MUDGUARD | 1 |
| 29 | C | 242056C51 | FRONT MUDGUARD HOLDER | 1 |
| 31 | | 026700 | SCREW M5X10 (ISO 7380) | 2 |
| 32 | | 31508 | WASHER A5,3 | 6 |
| 33 | | 33502 | SCREW M5X12 (DIN 6921) | 2 |
| 34 | | 030048 | NUT M5 SELFLOCKING | 2 |
| 35 | | 026706 | SCREW M6X12 (ISO 7380) | 4 |
| 36 | | 031509 | WASHER 6 | 4 |
| 40 | C | 222299 | REAR MUDGUARD | 1 |
| 41 | | 033510 | SCREW M6X10 (DIN 6921) | 6 |
| 42 | | 031509 | WASHER 6 | 6 |
| 43 | | 033591 | NUT M6 SELFLOCKING | 6 |
| 50 | | 234656 | MUD FLAP | 1 |
| 52 | | 234664 | PLASTIC SCREW | 2 |
| 55 | L | 211838 | PLATE | 1 |
| 56 | | 026700 | SCREW M5X10 (ISO 7380) | 2 |
| 57 | | 031508 | WASHER A5,3 | 2 |
| 58 | | 030048 | NUT M5 SELFLOCKING | 2 |

FRAME, REAR FORK, CENTRAL STAND



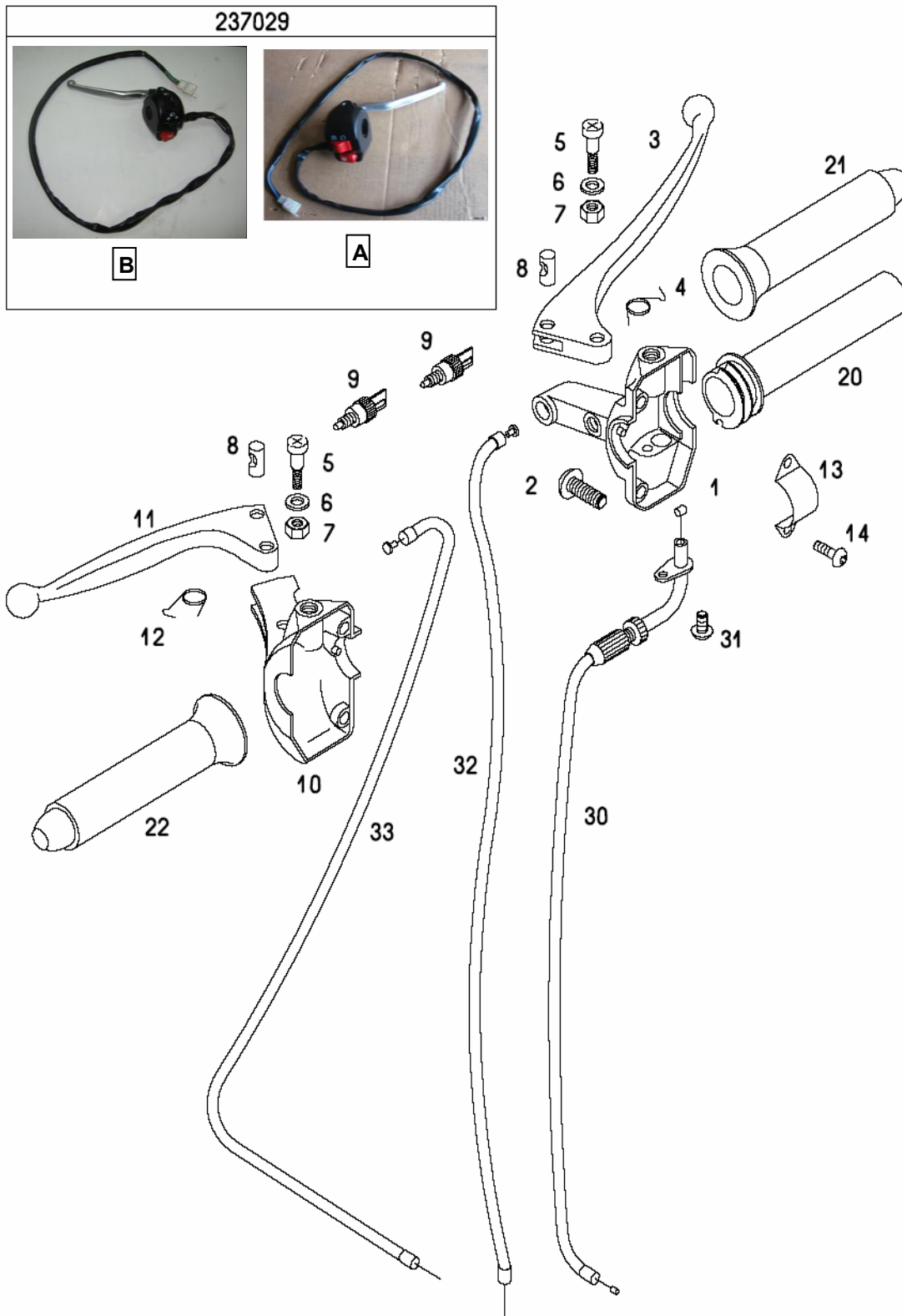
| No. | * | Part No. | Denomination | D |
|-----|---|-----------|---------------------------|---|
| 1 | L | 242333LAK | FRAME | 1 |
| 2 | | 209141 | BEARING BUSH | 2 |
| 3 | | 213953 | FUEL TANK CAP | 1 |
| 4 | | 233727 | FUEL FEED TAP | 1 |
| 5 | | 044531 | FUEL TUBE 0,05m | m |
| 6 | | 224056 | SPRING CLAMP 8 | 2 |
| 9 | L | 237153S91 | CENTRAL STAND | 1 |
| 10 | | 200609 | SPRING | 1 |
| 11 | | 209143 | SPRING SUPPORT | 1 |
| 12 | | 026041 | SCREW M8x1X70 | 1 |
| 13 | | 031933 | WASHER 8 | 1 |
| 14 | | 030049 | NUT M8x1 SELFLOCKING | 1 |
| 15 | L | 242338LAK | REAR FORK | 1 |
| 16 | | 209144 | DISTANCE BUSH | 1 |
| 17 | | 237123 | AXLE | 1 |
| 18 | | 031935 | WASHER 13 | 1 |
| 19 | | 030051 | NUT M12x1,25 SELFLOCKING | 2 |
| 20 | | 227172 | SHOCK ABSORBER-BLACK | 2 |
| 21 | | 033543 | SCREW M10X35 (DIN 6921) | 4 |
| 22 | | 031934 | WASHER 10,5 | 4 |
| 23 | C | 242364C51 | LUGAGGE- black | 1 |
| 24 | | 031928 | WASHER 6,4 | 2 |
| 25 | | 033512 | SCREW M6X16 (DIN 6921) | 2 |
| 26 | | 232731 | RUBBER INSERT PIECE fi 15 | 1 |
| 27 | | 229728 | RUBBER INSERT PIECE fi 12 | 1 |
| 28 | | 237224 | RELAY PROTECTOR | 1 |

FRONT FORK



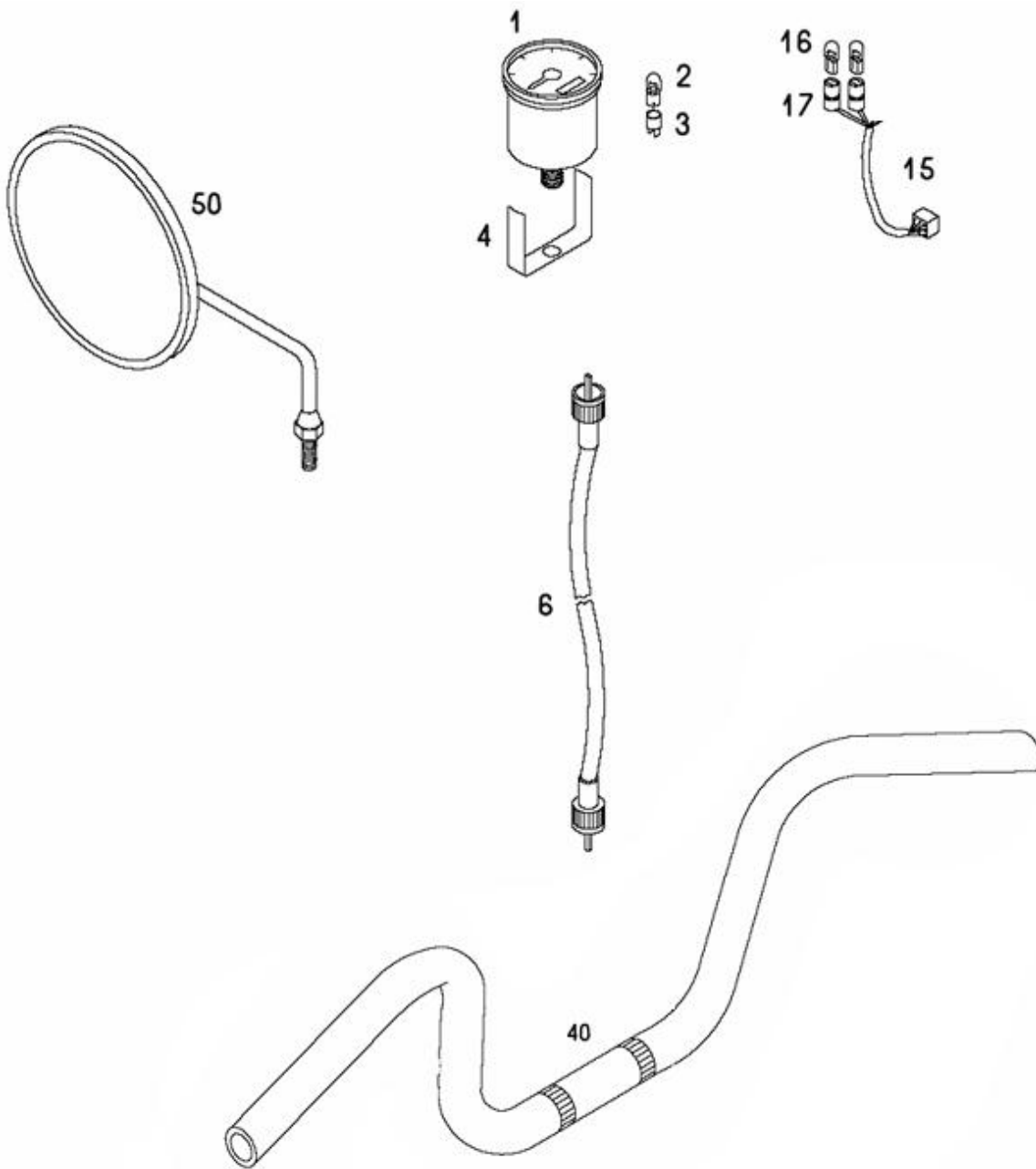
| No. | * | Part No. | Denomination | D |
|-----|---|-----------|---|----|
| - | | 236839 | FRONT FORK CPL. grund (with parts 1 to 21 and 27) | 1 |
| 1 | L | 243184 | RH FRONT FORK SILVER | 1 |
| 2 | L | 243185 | LH FRONT FORK SILVER | 1 |
| 4 | | 243179 | SEAL RING | 2 |
| 5 | | 243195 | OIL SEAL RING | 2 |
| 12 | | 232968 | CABLE GUIDE | 2 |
| 13 | G | 243197 | FORK LUG grund | 1 |
| 14 | | 026683 | SCREW M8X45 | 4 |
| 15 | | 031077 | NUT M8 | 4 |
| 16 | G | 243196 | UPPER YOKE GRUND | 1 |
| 17 | G | 243198 | HANDLEBAR CARRIER grund | 2 |
| 18 | | 026646 | SCREW M6X45 | 4 |
| 19 | | 031075 | NUT M6 | 4 |
| 20 | | 219349 | CROWN NUT | 1 |
| - | | 230741 | BEARING SET (with parts 21-30) | 1 |
| 21 | | 200714 | STEERING BEARING CONE | 1 |
| 23 | | 200714 | STEERING BEARING CONE | 1 |
| 24 | | 200715 | COVER (BRIGHT) | 1 |
| 25 | | 200717 | GROOVED NUT | 1 |
| 26 | P | 222848 | WASHER (S= 2MM) | 1 |
| 27 | | 206701 | WASHER (S= 0,7MM) | 1 |
| 28 | | 044535 | BALL BEARING 5 | 42 |
| 29 | | 223155 | STEERING BEARING CUP (TOP) | 1 |
| 30 | | 223157 | STEERING BEARING CUP (BOTTOM) | 1 |
| 31 | L | 242304LAK | LAMP HOLDER-RIGHT | 1 |
| 32 | L | 242305LAK | LAMP HOLDER-LEFT | 1 |
| 33 | | 229399 | RUBBER RING | 4 |
| 35 | | 227121 | FRONT SIDE REFLECTOR | 2 |
| 40 | | 233198 | SET OF LOCKS (with parts 41-42) | 1 |
| 41 | | 232891 | KEY (must to notify number) | 1 |
| 42 | | 233198 | FRONT FORKS LOCK (with part 41) | 1 |

GRIPS, CABLES



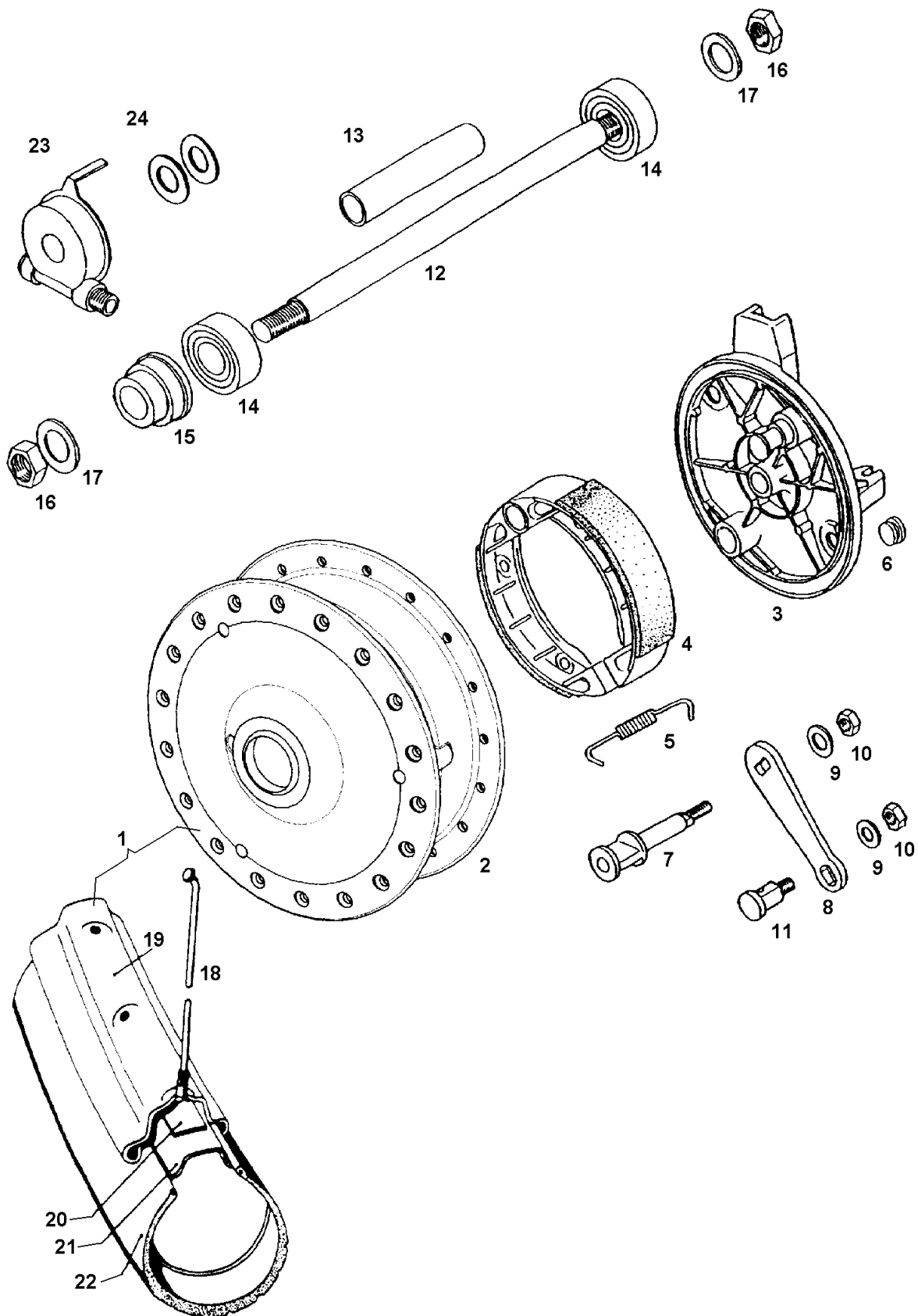
| No. | * | Part No. | Denomination | D |
|------------|----------|-----------------|---------------------|----------|
| 1 | | 243236 | GRIP | 1 |
| 2 | | 243237 | SCREW | 4 |
| 3 | | 243238 | GRIP | 1 |
| 4 | | 243239 | SPRING | 1 |
| 5 | | 243240 | SCREW | 1 |
| 8 | | 221222 | NIPPEL | 2 |
| 9 | | 243607 | STOP SWICH | 2 |
| 10 | | 243242 | GRIP | 1 |
| 11 | | 243244 | GRIP | 1 |
| 12 | | 243245 | SPRING | 1 |
| 13 | | 243247 | CLMP | 2 |
| 14 | | 026700 | SCREW M5X10 | 2 |
| 20 | | 243246 | LEVER GRIP | 1 |
| 30 | | 232794 | THROTTLE CABLE | 1 |
| 31 | | 026700 | SCREW M5X10 | 1 |
| 32 | | 229542 | BRAKE CABLE FRONT | 1 |
| 33 | | 229543 | BRAKE CABLE REAR | 1 |
| | | 241099 | GRIP | 1 |

HANDELBAR, SPEEDOMETER, MIRROR



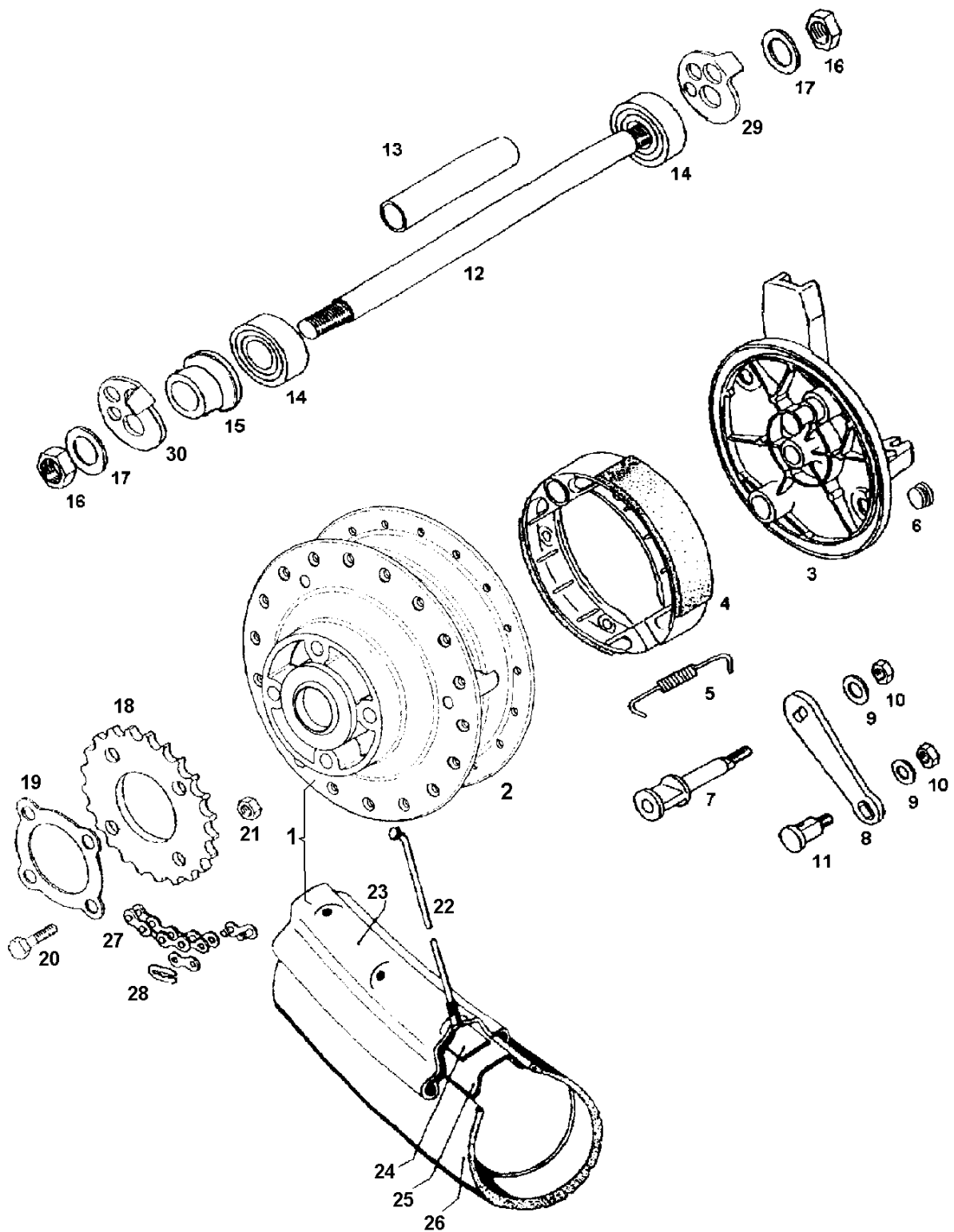
| No. | * | Part No. | Denomination | D |
|------------|----------|-----------------|---|----------|
| 1 | | 234406 | SPEEDOMETER- km/h (with parts 2-3) | 1 |
| 2 | | 213993 | BULB 12V 2W BA7S | 1 |
| 3 | | 234389 | BULB HOLDER | 1 |
| 4 | | 234357 | SPEEDOMETER HOLDER | 1 |
| 6 | | 230584 | SPEEDOMETER CABLE OS L=650 mm | 1 |
| 15 | | 237058 | SPEEDOMETER WIRING (with parts 16 and 17) | 1 |
| 16 | | 232763 | BULB 12V 1,2W -W2x4,6d | 2 |
| 17 | | 227497 | BULB HOLDER | 2 |
| 40 | C | 242042C51 | HANDLEBAR | 1 |
| 50 | | 236968 | LH MIRROR-chrom | 1 |

FRONT WHEEL



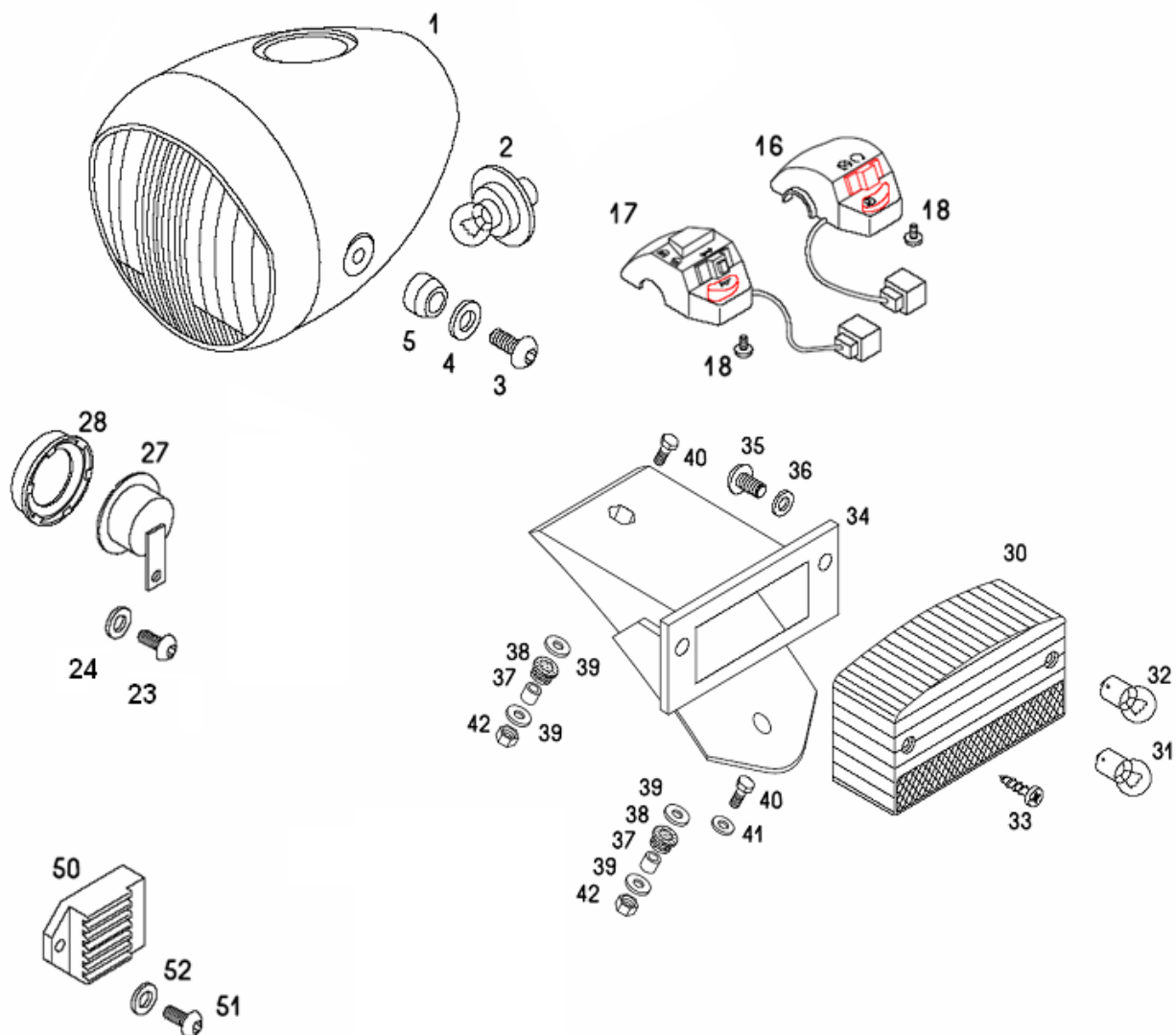
| No. | * | Part No. | Denomination | D |
|-----|---|----------|---|------|
| 1 | 1 | 237187 | REAR WHEEL CPL. | 1 |
| 1 | 2 | 237038 | REAR WHEEL WITH TYRE | 1 |
| 3 | | 233197 | REAR BRAKE PLATE-silver (with parts 4-11) | 1 |
| 4 | | 229740 | BRAKE SHOE - PAIR | pair |
| 5 | | 229741 | SPRING | 2 |
| 6 | | 227114 | RUBBER PLUG | 2 |
| 7 | | 229743 | BRAKE CAM | 1 |
| 8 | | 229684 | BRAKE LEVER | 1 |
| 9 | | 031509 | WASHER 6 | 2 |
| 10 | | 031075 | NUT M6 | 2 |
| 11 | | 222581 | BOLT | 1 |
| 12 | | 230515 | REAR WHEEL AXLE | 1 |
| 13 | | 222569 | DISTANCE TUBE | 1 |
| 14 | | 044225 | BALL BEARING 12X32X10(6201-2Z) | 2 |
| 15 | | 222883 | DISTANCE TUBE | 1 |
| 16 | | 209277 | NUT M11x1 | 2 |
| 17 | | 227450 | WASHER 11 | 2 |
| 18 | 2 | 231349 | SPOCKET T33 | 1 |
| 19 | | 222583 | LOCKING TAB FOR REAR WHEEL | 1 |
| 19 | | 222583 | LOCKING TAB FOR REAR WHEEL | 1 |
| 20 | | 026304 | SCREW M7X25 | 4 |
| 21 | | 031076 | NUT M7 | 4 |
| 22 | | 232733 | SPOKEN WITH NIPPLE (L=149) | 36 |
| 23 | | 217137 | FRONT RIM 1.20 X 16 | 1 |
| 24 | | 044926 | RUBBER INSERT RING 2 1/4 -16 | 1 |
| 25 | | 044925 | INNER TUBE 2 1/4 - 16 | 1 |
| 26 | | 227771 | TYRE 2 1/4-16*38J black/white | 1 |
| 27 | | 205348 | CHAIN (95 ROLLERS) | 1 |
| 28 | | 229189 | CHAIN MASTER LINK | 1 |
| 29 | | 209212 | CHAIN TENSION ADJUSTER RH | 2 |

REAR WHEEL



| No. | * | Part No. | Denomination | D |
|-----|---|----------|---|-----|
| 1 | 1 | 237186 | FRONT WHEEL CPL. | 1 |
| 1 | 2 | 237037 | FRONT WHEEL WITH TYRE | 1 |
| 3 | 1 | 233155 | FRONT BRAKE PLATE-silver (with part 4-11) | 1 |
| 4 | | 229740 | BRAKE SHOE - PAIR | par |
| 5 | | 229741 | SPRING | 2 |
| 6 | | 227114 | RUBBER PLUG | 2 |
| 7 | | 229743 | BRAKE CAM | 1 |
| 8 | | 229684 | BRAKE LEVER | 1 |
| 9 | | 031509 | WASHER 6 | 2 |
| 10 | | 031075 | NUT M6 | 2 |
| 11 | | 222581 | BOLT | 1 |
| 12 | | 226086 | FRONT WHEEL AXLE D12 | 1 |
| 13 | | 222568 | DISTANCE TUBE | 1 |
| 14 | | 044225 | BALL BEARING 12X32X10(6201-2Z) | 2 |
| 15 | | 227485 | DISTANCE TUBE | 1 |
| 16 | | 206498 | NUT M12x1 | 2 |
| 17 | | 031935 | WASHER 12 | 2 |
| 18 | | 232733 | SPOKEN WITH NIPPLE (L=149) | 36 |
| 19 | | 217137 | FRONT RIM 1.20 X 16 | 1 |
| 20 | | 044926 | RUBBER INSERT RING 2 1/4 -16 | 1 |
| 21 | | 044925 | INNER TUBE 2 1/4 - 16 | 1 |
| 22 | | 234227 | TYRE 2 1/4-16*38J black/white | 1 |
| 23 | | 230631 | speedometer drive D=12 mm | 1 |

ELECTRIC PARTS



| No. | * | Part No. | Denomination | D |
|-----|---|----------|----------------------------------|---|
| 1 | | 227100 | HEADLAMP (with parts 2-6) | 1 |
| 2 | | 044701 | BULB 12V 25/25W BA20D | 1 |
| 3 | | 227102 | BULB HOLDER | 1 |
| 4 | | 214657 | CLAMP | 1 |
| 5 | | 044693 | BULB 12V 4W BA9s | 1 |
| 6 | | 044432 | SCREW ST 3,9x25 | 2 |
| 7 | | 031509 | WASHER 6 | 4 |
| 8 | | 026690 | NUT M6X16 (ISO 7380) | 3 |
| 16 | | 237129 | SWITCH RIGHT WITH CABLE | 1 |
| 17 | | 237130 | SWITCH LEFT WITH CABLE | 1 |
| 18 | | 232859 | SCREW M5X22 black | 4 |
| - | | 236977 | CABLE WEB FRONT | 1 |
| - | | 241091 | CABLE WEB MIDDLE | 1 |
| - | | 236978 | CABLE WEB REAR | 1 |
| - | | 241092 | CABLE WEB FOR REGULATOR | 1 |
| - | | 237157 | CABLE OIL LEVEL SENZOR | 1 |
| 23 | | 026706 | SCREW M6X12(ISO 7380) | 2 |
| 24 | | 031509 | WASHER 6 | 2 |
| 27 | | 237179 | HORN | 1 |
| 28 | | 236756 | HORN CAP-chrome | 1 |
| 30 | | 223572 | REAR LAMP (with parts 31 and 32) | 1 |
| 31 | | 044698 | BULB 12V 5W | 1 |
| 32 | | 044689 | BULB 12V 10W | 1 |
| 33 | | 044439 | SCREW ST 3,9x16 | 2 |
| 34 | | 236963 | REAR LAMP HOLDER | 1 |
| 35 | | 026690 | SCREW M6X16(ISO 7380) | 2 |
| 36 | | 031509 | WASHER 6,4 | 2 |
| 37 | | 222187 | DISTANCE BUSH L=7,5mm | 1 |
| 38 | | 219946 | RUBBER INSERT PIECE | 2 |
| 39 | | 031925 | WASHER d6,3xD18 | 4 |
| 40 | | 044284 | SCREW M6X22 | 2 |
| 41 | | 217674 | WASHER 6,4 D16 | 1 |
| 42 | | 030040 | NUT M6 SELFLOCKING | 2 |
| 50 | | 236733 | WOLTAGE REGULATOR | 1 |
| 51 | | 026689 | SCREW M6X14 (ISO 7380) | 1 |
| 52 | | 031845 | WASHER B6 | 1 |
| 52 | | 031845 | WASHER B6 | 1 |
| 51 | | 026689 | SCREW M6X14 (ISO 7380) | 1 |
| 52 | | 031845 | WASHER B6 | 1 |



TOMOS



TOMOS D.O.O.
MOTOINDUSTRIJA
ŠMARSKA CESTA 4
SLOVENIJA

TOMOS INC.
202 BEECHTREE BLVD.
GREENVILLE, SC 29605
USA

TOMOS NEDERLAND B.V.
KWEKWEK 34 - 8161 PG EPE
POSTBUS 172 - 8160 AD EPE
NEDERLAND